

Source: Prestolite Electric Leece Neville Heavy Duty Systems
Bulletin No: TWB-0110_M128R **Date:** May 21, 2024
Models: M128R Single application
Subject: Wiring Diagram



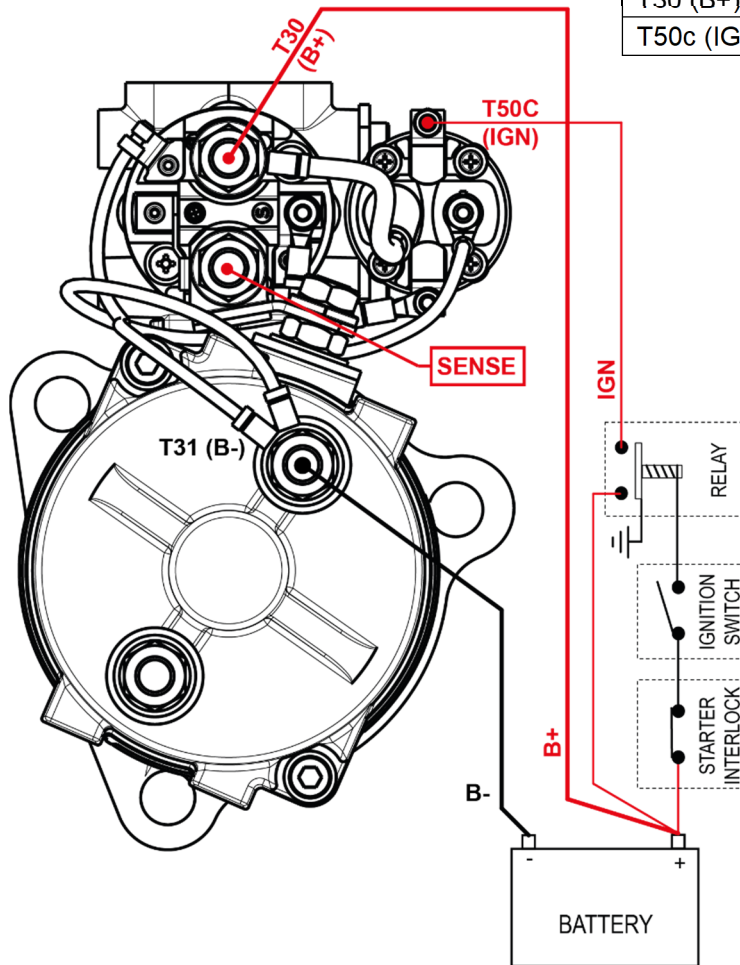
techservice@prestolite.com

M128R SINGLE APPLICATIONS WIRING INSTRUCTION

NOTE: Do not remove or bypass the control relay (IMS)

M128R3815SE, M128R3817SE, M128R3833SE
 M128R3837SE, M128R3838SE, M128R3839SE
 M128R3841SE, M128R3850SE, M128R3891SE

Terminal tightening torque values	
T30 (B+) / T31 (B-)	24.7 – 27.5 Nm
T50c (IGN / SW)	2 – 2.5 Nm



Important: The information contained in this bulletin is intended for use by trained, professional technicians who have the proper tools, equipment, and training to perform the required maintenance described above. This information is NOT intended for 'do-it-yourselfers', and you should not assume that this information applies to your equipment. If you have any questions regarding this information please visit our website at www.prestolite.com, or contact our technical service department at:

